

THIS DRAWING IS UNPUBLISHED.

RELEASED FOR PUBLICATION

ALL RIGHTS RESERVED.

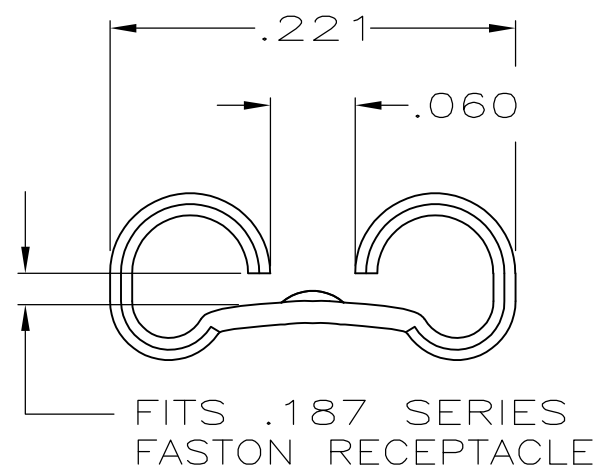
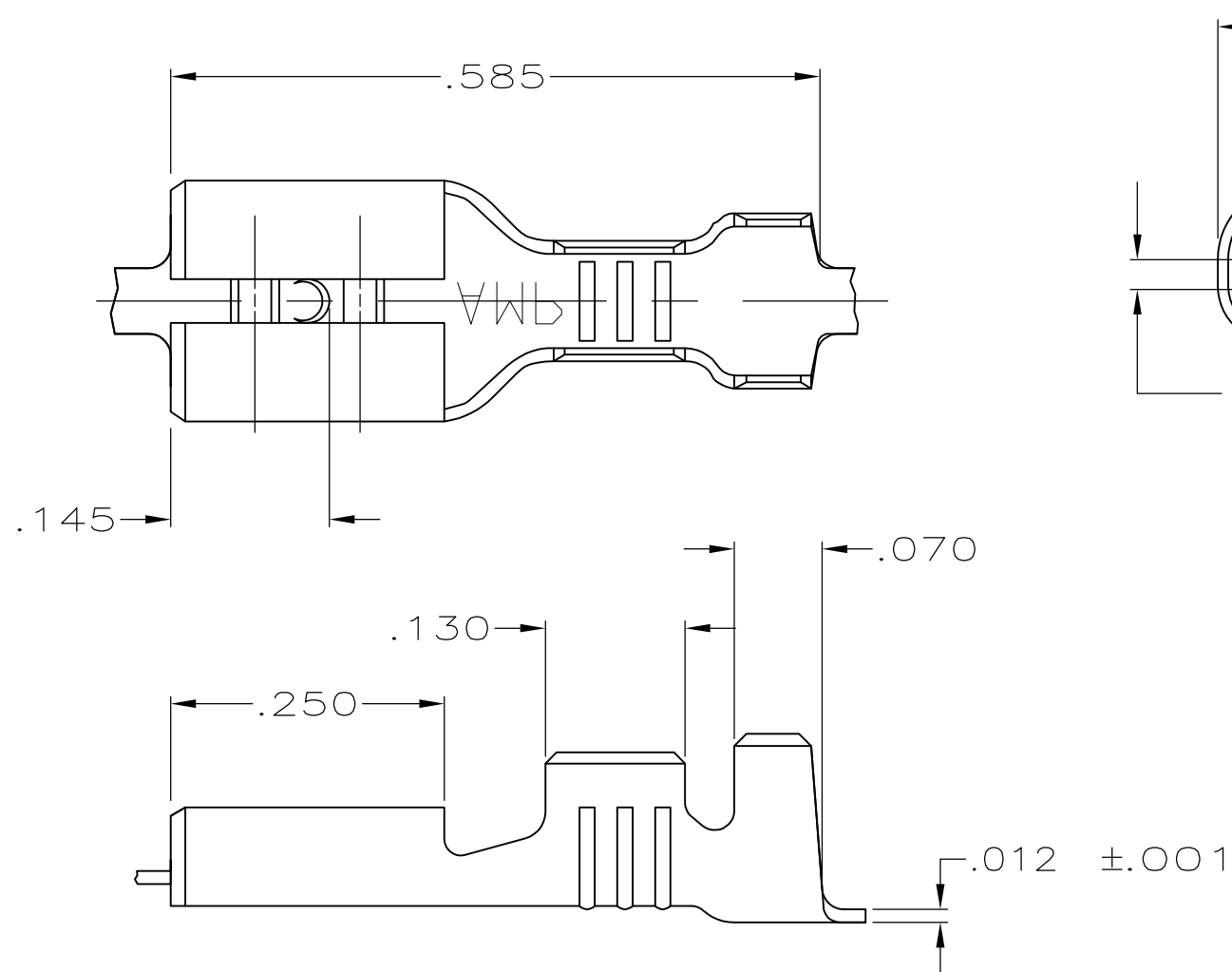
© COPYRIGHT - By -

LOC AF DIST 50

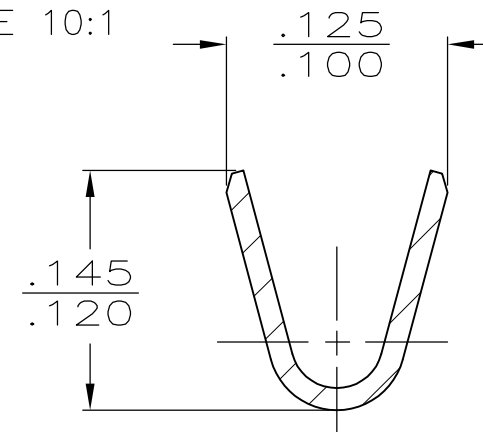
REVISIONS

| P | LTR | DESCRIPTION               | DATE      | DWN | APVD |
|---|-----|---------------------------|-----------|-----|------|
|   | F   | REVISED PER ECR-12-013459 | 28NOV2012 | KH  | PD   |

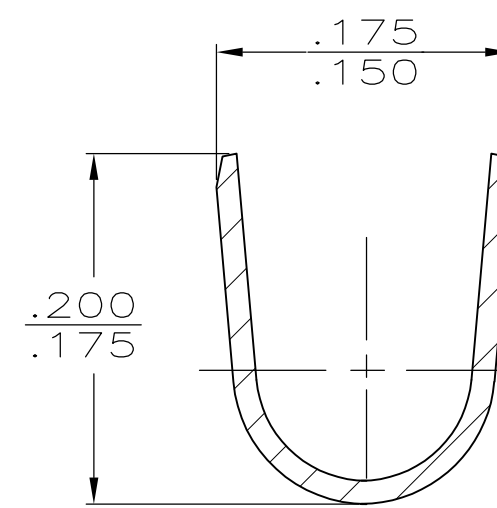
1 CONTINUOUS STRIP ON REELS.



VIEW A-A  
SCALE 10:1



SECTION B-B  
SCALE 10:1



SECTION C-C  
SCALE 10:1

|        |             |           |                      |             |
|--------|-------------|-----------|----------------------|-------------|
| TIN    | .090-.130   | 20-16     | .032                 | 61758-2     |
| -      |             |           |                      | 61758-1     |
| FINISH | INSUL RANGE | WIRE SIZE | MATING TAB THK ±.001 | PART NUMBER |

THIS DRAWING IS A CONTROLLED DOCUMENT.

DWN JR RUTH 2/26/90

CHK MS FEHER 2/26/90

APVD C MEYERS 2/26/90

PRODUCT SPEC

APPLICATION SPEC

WEIGHT -

CUSTOMER DRAWING

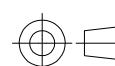
**STE** TE Connectivity

NAME RECEPTACLE, FASTON, .187 SERIES

SIZE A3 CAGE CODE 00779 DRAWING NO C-61758 RESTRICTED TO -

SCALE 6:1 SHEET 1 OF 1 REV F

DIMENSIONS: INCHES



TOLERANCES UNLESS OTHERWISE SPECIFIED:

|        |        |
|--------|--------|
| 0 PLC  | ± -    |
| 1 PLC  | ± -    |
| 2 PLC  | ± -    |
| 3 PLC  | ± .010 |
| 4 PLC  | ± -    |
| ANGLES | ± -    |

MATERIAL FINISH BRASS SEE TABLE